

Road Agent

OWNER'S MANUAL



12 GA, 20 GA, .410 GA



AMERICAN TACTICAL[®]

General Warnings

Be certain this owner's manual is available for reference and is kept with this firearm if transferred to another party. If the manual is lost or misplaced, contact American Tactical for a free replacement copy.

After performing any work on your firearm such as cleaning, adjustments, disassembly, or installation of any accessory, the firearm should be checked for proper functioning before firing live ammunition.

Firearms are complex mechanisms. Any modification, alteration, or improper fitting of parts may result in a dangerous malfunction, damage to the firearm or injury to the shooter and/or other persons. The firearm's owner is responsible for the correct reassembly and functioning of the firearm after any disassembly or replacement of parts.

If you do not understand any of the material in this manual or have any questions, contact American Tactical or a qualified gunsmith directly.

Do not attempt to load or use any firearm until you have read and understood the information contained in its owner's manual. Before handling your firearm, you should learn how it operates and how to maintain it. This includes knowing its basic parts, how the manual safety and other safety features operate, how to safely open and close the firearm, and how to safely load and unload ammunition from the firearm. Improper use and handling is dangerous and could cause serious injury or death to you or those around you. All users of the firearm must become thoroughly familiar with the warnings and instructions in this manual.

As the owner of a firearm, you must undertake the full-time responsibility of safe firearms handling and storage for your own safety and the safety of those around you:

- Keep all firearms and ammunition out of the reach of children.
- Store your firearms and ammunition separately.
- Never store a loaded firearm.
- Never leave a loaded firearm unattended.
- Never transport a loaded firearm in a vehicle.
- Unload your firearm when you have stopped shooting and when you have to climb a tree, scale a fence, cross a slippery surface or have to transport it in a vehicle.
- Do not load your firearm before you are in a place where it is safe to shoot, and keep your finger off the trigger until you are on target and are ready to fire.



AMERICAN TACTICAL

12 GA, 20 GA, .410 GA

General Warnings

- Never shoot at water, rocks or any hard surfaces. Shots may glance off such surfaces and cause injuries.
- Do not use alcohol or drugs before or while handling firearms.
- Do not touch the trigger while the safety button is being engaged or disengaged.

Always point the muzzle of your firearm in a safe direction, regardless of whether the firearm is loaded or unloaded.

Always treat every firearm as if it were loaded. Only give your firearm to someone with the action open and the selector lever in the safe (S) position, after you verify the firearm is unloaded. Insist on the same procedure when receiving a firearm from someone else. Learn the location of all the safety features of your firearm and how they operate.

Wear eye and ear protection when shooting. The use of eye protection during any type of shooting is important to protect your vision. Shooting without proper ear protection can cause hearing damage.

WE SPECIFICALLY DISCLAIM ANY RESPONSIBILITY FOR DAMAGE OR INJURY WHATSOEVER OCCURRING IN CONNECTION WITH, OR AS A RESULT OF, THE USE OF FAULTY, OR NON-SAAMI STANDARD, OR "REMANUFACTURED" OR HAND-LOADED (RELOADED) AMMUNITION. ADDITIONALLY, WE DISCLAIM ANY RESPONSIBILITY FOR DAMAGE OR INJURY WHICH RESULTS FROM ANY MODIFICATIONS OR CHANGES THAT ARE NOT A PART OF THE FIREARM AS DELIVERED FROM THE FACTORY.

Learn to clean your firearm thoroughly and make certain no oil, grease, or other materials are blocking the barrel. Obstructions of any kind can cause damage to the firearm and may result in serious personal injury to the shooter and/or others nearby.

Practice proper firearm maintenance and safety. Make sure all exposed metal surfaces are coated with a thin film of oil, especially after being exposed to damp weather. (See proper section of this manual for cleaning instructions.) Do not plug barrel or store in a fabric-lined case that will absorb lubricants from the firearms. Before using after storage, follow complete instructions stated in this manual for re-familiarization with the firearm. A thorough inspection should be performed before going into the field. Have your firearm periodically checked by a qualified gunsmith.

Table of Contents

Mechanical Safety.....	2
Assembly.....	3-6
Loading the Shotgun.....	6
Decocking.....	7
Firing.....	8-9
Unloading.....	9
Function Testing	9-10
Choke Tubes.....	10-11
Cleaning	12-13
Service Instructions	14-15
American Tactical Ammunition.....	16
Exploded View and Parts List.....	17-18
Firearm Safety.....	19
Warranty.....	20-21



AMERICAN TACTICAL

12 GA, 20 GA, .410 GA

Read and understand this entire manual and its safety warnings before handling the shotgun.

MECHANICAL SAFETY

The safety selector/decocking mechanism is located on the left side of the receiver. The position of the safety/decocker position affects both barrels.

To engage the safety/decocker to the safe position, the lever must be pushed up. The safety will now point to an “S” located on the receiver. The “S” is a training aid used only to show the direction of the “S” (SAFE) position and should not be used as an indicator that the safety is “on” or “off.”

Remember, a firearm’s manual safety is a mechanical device which can never replace safe firearm handling practices.

Never rely on any mechanical mechanism or safety device to prevent the dangers of careless handling or pointing a firearm in an unsafe direction.

Safety On-Hammers Forward



Safety On-Hammers Engaged



ASSEMBLY

Before assembly and/or performing any work on your firearm, visually and physically inspect it to be sure that the firearm is completely unloaded. Keep the firearm pointed in a safe direction at all times.

The shotgun is shipped from the factory with the barrel and forearm assemblies disassembled from the receiver/stock assembly.

After carefully removing both components from the box, inspect the inside of both barrels to ensure they are free of any excess oil, grease or obstructions. Obstructions of any kind can cause damage to the firearm and may result in serious personal injury to the shooter and/or others nearby.

To assemble the barrels to the receiver you must first remove the forend. Locate the latch on the underside of the forend. Lifting the latch and pulling the forend away from the barrels will allow you to remove the forend.



Next, take the stock/receiver assembly and make certain that the safety/decocker lever is fully up in the safe position.

To assemble the barrels to the receiver, the top lever must be locked in the extreme right-hand position. Move the breach lever to the right until it stops and stays in the extreme right-hand position.



The stock/receiver is now ready to accept the barrel assembly. To assemble the barrel to the stock/receiver assembly, locate the half-round cuts in the barrel lug and the round hinge pins inside of the receiver. With the barrel assembly held approximately 45 degrees to the stock/receiver assembly, mate the round cuts of the barrel assembly to pivot on the round receiver hinge pins.



Swing the barrel up firmly without forcing to its fully closed position. The lever will snap to a centered position. The barreled action is now ready to receive the forearm.



To install the forearm to the barreled action, mate the rounded surfaces of the forearm plate to the receiver and swing the forearm up firmly against the underside of the barrel. Keeping hands away from the forearm latch, apply pressure to the underside of the forearm until the latch snaps into its “locked” position.



The firearm is now fully assembled. With the firearm pointed in a safe direction, open the firearm by moving the breach lever fully to the right, and assist the barrel swing with your off hand by pulling down on the forearm.



Inspect the bore and chamber for excess oil, grease or other obstructions. (The chamber is the rear portion of the barrels where the cartridges will be inserted.) You can now close the firearm to check for binding. You may want to repeat opening and closing the firearm several times to become familiar with its function, and to ensure that it is properly assembled.

LOADING

Do not load firearm until ready for use! The safety/decocker lever should always be in the "S" (SAFE) position whether or not the firearm is loaded.

With the firearm pointed in a safe direction, move the safety/decocking lever fully to the safe position. Open the firearm as previously described, inspect the bores and chambers for any foreign matter.

Check the gauge stamped on the barrel you are loading, and load cartridges of that gauge only when you are ready to fire.

Inspect the ammunition before loading; check the primer and be sure it is flush or below the cartridge base. A cartridge discharged by closing the breech can result in possible serious injury to the shooter and/or other persons. Insert a cartridge(s) of the correct gauge only when you are ready to fire.

Making sure the muzzle is pointed in a safe direction, close the action. **The firearm is now loaded and cocked.** You should verify that the safety/decocking lever is fully in the safe position.

The safety/decocking lever should be kept in the "S" safe position until you are on target and have decided to fire. Keep the muzzle pointed in a safe direction at all times and your fingers and any other objects outside the trigger guard and away from the trigger area.

If the firearm with a cartridge in the chamber does not close readily, do not force it. Check the gauge and length of the ammunition against the barrel markings to be sure they are identical. Next, check the chambers and bores to be sure they are free from obstructions, dirt, and debris. Obstructions of any kind can cause damage to the firearm and may result in serious personal injury to the shooter and/or others nearby.

Decocking

The Road Agent is equipped with a decocking device. You may decock the firearm in either the safe or fire position. The hammers will drop, but will not discharge the firearm. To use the decocker, point the firearm in a safe direction and press downward on the safety/decocker lever until the hammers fall. The hammers may now manually be engaged, or you may open the breach to unload/load the firearm.



American Tactical does not recommend riding the hammers forward in lieu of using the decocker. By pulling the trigger and riding the hammers forward, you are allowing the hammer to press on the firing pin. This may cause a discharge. Take note of the position of the hammers against the firing pins in Figure 1 and Figure 2. Figure one illustrates the position using the decocker. Figure two illustrates the position after firing or riding the hammers forward.

Figure 1



Figure 2



FIRING

The Road Agent is equipped with two triggers. The front trigger allows the right barrel to fire. The rear trigger allows the left barrel to fire. American Tactical does not advise that both triggers are pulled at the same time.



While pointing the firearm at your intended target, push the safety/decocker lever to the fire position. Place your index finger on the trigger and squeeze the trigger fully rearward. This will discharge the cartridge. If both chambers were loaded, pulling the trigger a second time will fire the other barrel.

Discharging firearms in poorly ventilated areas, cleaning firearms, or handling ammunition may result in exposure to lead and/or substances known to cause birth defects, reproductive harm and/or other serious physical injury. Have adequate ventilation at all times. Wash hands thoroughly after exposure. See Cleaning & Lubrication on Page 12 for recommended Lead Cleaning

Should the round fail to fire, keep the firearm pointed in a safe direction. Move the safety/decocker lever fully to the "S" (SAFE) position. Wait a few moments and then remove the misfired round and keep it separate from other ammunition. Do not attempt to re-fire the failed round.



If at any time during firing, the sound of any round is noticeably louder or softer than the previous rounds fired, STOP! Do not load or fire additional rounds until you have moved the safety/decocking lever fully to the safe position. Safely unload your firearm and inspect it for possible damage or an obstruction in the chamber or bore. (The bore is the inside surface of the barrel.) Firing a firearm with a bore obstruction can cause damage to the firearm and may result in serious personal injury to the shooter and/or others nearby.

UNLOADING

Move the safety/decocking lever fully to the safe position. Open the firearm. The extractor will position live or spent cartridges for removal by hand.



Visually and physically check both chambers to be certain the firearm is unloaded.

FUNCTION TESTING

After performing any work on your firearm such as cleaning or disassembly and assembly, check your firearm for proper functioning before loading or firing live ammunition.

Visually and physically check to be sure the firearm is completely unloaded, and keep the firearm pointed in a safe direction at all times.

Move the safety/decocking lever fully to the safe position.

Open and close the firearm several times to check for free movement of the barrel assembly. Close the firearm and leave the safety/decocking lever fully in the safe position. Pull the trigger fully rearward. The hammer should not fall (NO FIRE).

Remove your finger from the trigger. Move the safety/decocking lever fully to the fire position. The hammer should not fall (NO FIRE).

Leave the safety/decocking lever in the fire position making sure both hammers are cocked. Pull the front trigger fully rearward. The right hammer should fall (FIRE). Release the trigger and pull the reward trigger fully rearward again. The left hammer should fall (FIRE). The Road Agent is equipped with a safety/decocking lever. Ensure the firearm is empty and pointed in a safe direction. With the hammers cocked, move the safety/decocking lever to the “D” decock position and press down firmly. The hammers should fall.

IF YOUR FIREARM DOES NOT PERFORM AS DESCRIBED IN ANY OF THE PREVIOUS STEPS, CONTACT THE FACTORY AUTHORIZED PRODUCT SERVICE CENTER IMMEDIATELY. DO NOT ATTEMPT TO USE THE FIREARM.

Firearms are complex mechanisms. Any modification, alteration, or improper fitting of parts may result in a dangerous malfunction, damage to the firearm or injury to the shooter and/or other persons. The firearm’s owner is responsible for the correct re-assembly and functioning of the firearm after any disassembly or replacement of parts.

CHOKE TUBES



INTERCHANGEABLE CHOKE TUBES

CHOKES	ABBREVIATION	MARK	Percentage of Shot in a 76 cm (30inc) circle		
			18 mm	27 mm	36 mm
Cylinder	CYL		80 %	60 %	40 %
Improved Cylinder	IC		100 %	77 %	55 %
Modified	MOD		100 %	83 %	60 %
Improved Modified	IM		100 %	91 %	65 %
Full	F		100 %	100 %	70 %

Steel Shot and Slug Shot are not recommended with IM and F chokes



AMERICAN TACTICAL

12 GA, 20 GA, .410 GA

BEFORE REMOVING OR INSTALLING ANY CHOKE TUBE:

Move the safety/decocker lever to the “S” (SAFE) position and keep the muzzle pointed in a safe direction.

Open the firearm, visually and physically check both chambers to be certain the firearm is unloaded.

Do not use bent or deformed choke tubes as these may result in tube or barrel damage upon firing which may cause serious personal injury. Inspect choke tubes periodically to insure they are properly installed and in good condition. Pay special attention to the threaded end of the choke tube to be certain it is not deformed or dented.

Never fire this shotgun without a choke tube properly installed. Failure to do so will damage the precision threads on the inside of the barrel. Firing this shotgun with loose choke tubes may lead to damage to the choke tube and barrel, as well as serious personal injury.

CARE & CLEANING: The precision threads on your choke tube should be kept clean and lightly oiled at all times.

During cleaning of the barrel, be certain the choke tube is properly installed. This will avoid residue build-up on the threads.

American Tactical choke tubes shipped with the firearm are designed for use with Lead and Steel shot. Each tube is marked with the type of pattern it will produce.

TO REMOVE CHOKE TUBE: Loosen with choke wrench provided, turning it counterclockwise. When the choke tube is loosened, remove it completely with your fingers. Place choke tube on a clean, dry surface.

TO INSTALL CHOKE TUBE: Screw the tube clockwise into barrel by hand and then tighten the tube until snug with the choke wrench. These tubes fit completely inside the barrel when properly installed. Do not use excessive force when installing. Tube tightness should be checked periodically.

CLEANING AND LUBRICATION

With proper care and handling, your American Tactical™ firearm will provide you with years of dependable service. Your firearm should be inspected and cleaned periodically to insure that it remains in good condition. Clean your firearm as soon as possible after each use. This is especially important if your firearm has been exposed to moisture.

Use the instructions and equipment provided with a quality gun cleaning kit.

All metal parts should be cleaned with an appropriate gun cleaning solvent and lightly lubricated with gun oil. Over lubrication should be avoided. Use only lubricants specifically designed for firearms. Avoid the use of abrasives, which may damage the metal finish.

Scrub the bores and chambers with solvent and follow with cleaning patches until the barrels are clean. A final pass with a lightly oiled patch will provide a protective coating. Clean and remove any deposits in the barrels.

Lead deposits and residue can be dangerous to your health. We recommend the use of Field Wipes, manufactured by Hygenall and exclusively marketed by American Tactical. Please visit www.AmericanTactical.us for more information.

Be sure not to leave cleaning patches or excessive oil or grease in the bores as they can create dangerous obstructions. Obstructions of any kind can cause damage to the firearm and may result in serious personal injury to the shooter and/or others nearby.

Normal use requires only that the mechanisms be free of excessive shooting residue. Very little lubrication other than a light oiling of internal and external surfaces is needed to prevent rust.

If the firearm is to be stored for a long period of time it should be thoroughly cleaned and oiled. Do not plug the barrel or store the firearm in a fabric-lined case that will absorb lubricant from the firearm.

The barrel and forearm assemblies can be removed from the stock/receiver assembly and the stock can be removed from the receiver assembly, but further disassembly should be performed by the manufacturer, American Tactical and/or a qualified gunsmith only.



AFTER FIRING YOUR Road Agent, clean it as soon as possible to make the job easier and to avoid allowing the development of any corrosion.

When your firearm has not been fired, you should clean it at least once or twice a year if you live in a temperate climate, or as often as once a week in a tropical climate.

If you get your firearm wet, clean it as soon as possible to avoid the onset of corrosion or rust.

Use a high quality rifle cleaning kit that includes a cleaning rod, swab holder, cotton flannel bore patches, pipe cleaners, a small toothbrush, brass wire bristle bore and chamber brushes and a Cleaner/Lubricant/Preservative (CLP in Army terminology).

After you have disassembled the rifle, thoroughly clean, inspect and lubricate all parts according to the techniques described on following pages.



American Tactical Recommends the use of all Lucas Oil Outdoor Line Cleaning and Lubricants to maintain your firearms optimal performance.

**AMERICAN TACTICAL
PROUDLY USES
LUCAS OIL OUTDOOR
PRODUCTS
FOR ALL OF OUR FIREARM
MAINTENANCE NEEDS**



A Lucas Oil Lubrication sample is included with all firearm purchases!

TO ORDER PARTS FROM THE FACTORY SERVICE CENTER

To order parts, you can fax, phone, mail, or e-mail your order to us at one of the below numbers/addresses.

Fax Number: (830) 773-5893
Phone Number: (800) 290-0065
E-mail Address: customerservice@americantactical.us
Mailing Address: American Tactical
Attn: Service
231 Deming Way
Summerville, SC 29483

Please provide your name, address, city, state, zip, your daytime phone number and e-mail address. We will need the Model #, Serial #, Gauge/Caliber, Finish, Part # and Part Name.

We accept most major credit cards, money orders, and bank drafts.

Service Outside of the U.S.A.

For American Tactical International firearm parts and service requirements outside of the United States, customers are requested to contact the closest American Tactical International stocking dealer/distributor.

Services Outside of Warranty Coverage

Any firearms requiring service outside of the scope of manufacturer warranty require a minimum \$25 shipping and handling fee for return shipping expenses. This fee must be paid prior to issuance of a RA from Customer Service. It is the responsibility of the owner of the firearm to pay shipping expenses incurred for the firearm to return to American Tactical's facility. Once inspected, you will receive a service quote for the cost of parts and labor for any fees required to service the firearm. No service work will be performed without authorization following issuance of the quote. Should the service quote be accepted, all fees must be paid prior to return of the firearm to the customer. Should the service quote be refused, no work will be performed and firearm will be returned to the customer in the condition in which it was received. If no response to an issued quote is received by American Tactical within 30 days of issuance, the firearm will be returned to the customer in the condition in which it was received. All payments can be made through American Tactical Customer Service via Credit/Debit Card or by mailing a money order addressed to American Tactical at 231 Deming Way Summerville, SC 29483

You **MUST** email customer service **FIRST** at techservice@americantactical.us and provide a detailed description of the problem. Be sure to provide make, model, and serial number of the firearm, as well as the owner's name, address (no P.O. boxes please), and phone number. A customer service agent will contact you normally within one business day. You will then receive a service repair tag that must be attached to each firearm by matching the serial number on the tag to your firearm. There will be a claim check number on the tag that must be detached from the tag and taped firmly to the outside of the return package near the shipping label. Returns will be refused without this tag visibly showing on the outside of the package. Also, be sure to carefully follow all instructions listed below:

- **Make absolutely certain your firearm is unloaded.**
- Do not send ammunition with your firearm.
- Remove all accessories from your firearm such as scopes, slings, mounts, etc.
- Ship your firearm in a suitable container, packaging it securely to prevent parts from shifting and/or harm during shipping.
- It is advisable to place your correspondence inside your shipping container when shipping.
- Tape the control number stub on the outside of the package as described above.

SHIPPING ADDRESS

American Tactical Inc.
231 Deming Way
Summerville, SC 29483
Attn: Service

If you have any questions, please contact the Product Service Center by email at techservice@americantactical.us.



AMERICAN TACTICAL

American Tactical Ammunition

.410 #9 Target, 9 Pellet T Buck, and Slug
25 Round Box MSRP: \$11.99

12 Gauge and 20 Gauge Target Loads
25 Round Box MSRP: \$6.99



OMNI .410 AR SHOTGUN

18.5" Barrel Smooth Bore

5.56 Interchangeable - Patented Magazines

Fires 2.5" Buckshot - Birdshot - Slugs

Cavalry
SHOTGUNS



@AmericanTacticalus



/ATFirearms



/AmericanTactical



@Tactical_Import

Visit our Website

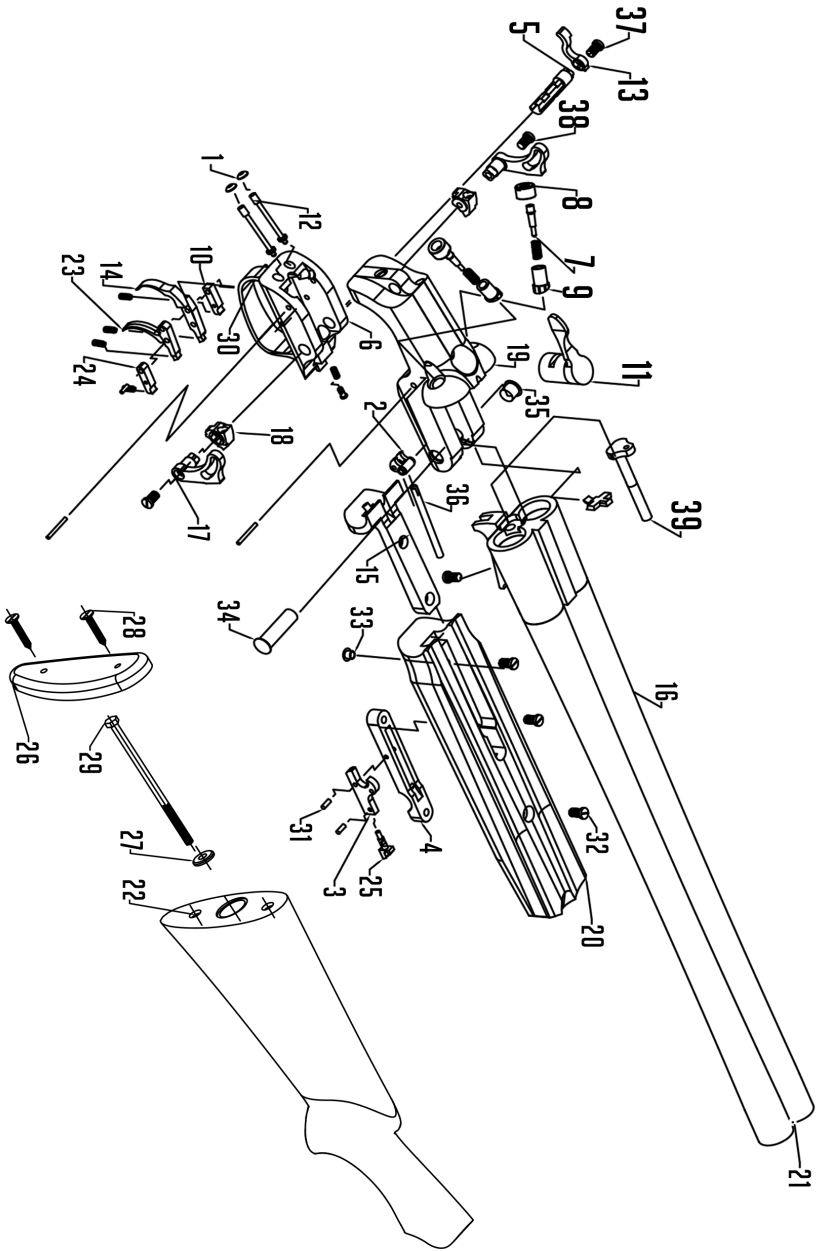


For More Information



AMERICAN TACTICAL

12 GA, 20 GA, .410 GA

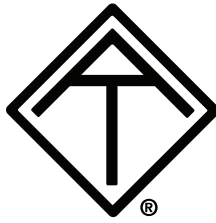


SPKOFRA01 - Bushing	SPKOFRA21 - Front Sight Bead
SPKOFRA02 - Cocking Cylinder	SPKOFRA22 - Stock
SPKOFRA03 - Forend Takedown Latch	SPKOFRA23 - Front Trigger
SPKOFRA04 - Forend Takedown Latch Housing	SPKOFRA24 - Front Trigger Sear
SPKOFRA05 - Safety/Decocking Cylinder	SPKOFRA25 - Takedown Latch Spring
SPKOFRA06 - Trigger Housing	SPKOFRA26 - Butt Plate
SPKOFRA07 - Firing Pin	SPKOFRA27 - Washer
SPKOFRA08 - Firing Pin Retaining Collar	SPKOFRA28 - Butt Plate Screws
SPKOFRA09 - Firing Pin Channel Collar	SPKOFRA29 - Stock Retaining Bolt
SPKOFRA10 - Rear Trigger Sear	SPKOFRA30 - Trigger Housing Assembly
SPKOFRA11 - Breach Lever	SPKOFRA31 - Takedown Latch Pin
SPKOFRA12 - Trigger Housing Set Screw	SPKOFRA32 - Forend Screws
SPKOFRA13 - Safety Decocker Lever	SPKOFRA33 - Forend Threaded Cap
SPKOFRA14 - Rear Trigger	SPKOFRA34 - Receiver Pin
SPKOFRA15 - Forearm Insert	SPKOFRA35 - Receiver Pin Cap
SPKOFRA16 - Barrel	SPKOFRA36 - Cocking Rod
SPKOFRA17 - Hammer	SPKOFRA37 - Safety Retaining Screw
SPKOFRA18 - Hammer Lock Assembly	SPKOFRA38 - Hammer Screw
SPKOFRA19 - Receiver	SPKOFRA39 - Extractor
SPKOFRA20 - Forearm	

From the time an individual picks up a firearm, that individual shooter becomes a part of a system over which he has complete control. He is the only part of the system that can make a gun safe – or unsafe. Hunting and target shooting are among the safest of all sports. This booklet is intended to make them even safer – by re-emphasizing and reaffirming the basics of safe gun handling and storage and by reminding each individual shooter that he or she is the key to firearms safety. You can help meet this responsibility by enrolling in hunter safety or shooting safety courses. You must constantly stress safety when handling firearms, especially to children and non-shooters. Newcomers in particular must be closely supervised when handling firearms with which they may not be acquainted. Don't be timid when it comes to gun safety. If you observe anyone violating any safety precautions, you have an obligation to suggest safer handling practices, such as those in this booklet. Please read these rules carefully and follow the safety procedures outlined. Firearms safety is up to you. Make no mistake about it.

- 1. ALWAYS KEEP THE MUZZLE POINTED IN A SAFE DIRECTION.**
- 2. FIREARMS SHOULD BE UNLOADED WHEN NOT ACTUALLY IN USE.**
- 3. DON'T RELY ON YOUR GUN'S "SAFETY".**
- 4. BE SURE OF YOUR TARGET AND WHAT'S BEYOND IT.**
- 5. USE CORRECT AMMUNITION.**
- 6. IF YOUR GUN FAILS TO FIRE WHEN THE TRIGGER IS PULLED,
HANDLE WITH CARE.**
- 7. ALWAYS WEAR EYE AND EAR PROTECTION WHEN SHOOTING.**
- 8. BE SURE THE BARREL IS CLEAR OF OBSTRUCTIONS BEFORE
SHOOTING.**
- 9. DO NOT ALTER OR MODIFY YOUR GUN, AND HAVE GUNS SERVICED
REGULARLY.**
- 10. LEARN THE MECHANICAL AND HANDLING CHARACTERISTICS
OF THE FIREARM YOU ARE USING.**





AMERICAN TACTICAL

Registration and Warranty Information

Thank you for choosing an American Tactical firearm.

Please Register Online!

Please Visit www.AmericanTactical.us/warranty.html to register your firearm and fill out a brief questionnaire.

If you do not have on-line access, use the back of this card

Registration will be used for product registry in the event your firearm needs service or repair.

American Tactical Lifetime Limited Warranty

American Tactical's LIMITED LIFETIME WARRANTY is in effect for any firearms registered for warranty beginning January 1, 2015. This warranty extends to any and all parts of the firearm as originally sold by American Tactical, but does not extend to firearms altered after their original purchase, firearms damaged through abuse, misuse or lack of proper care and maintenance or firearms used other than for their legal intended purposes. If a firearm cannot be repaired, American Tactical will replace it with a brand new identical firearm. If a replacement firearm identical to the returned firearm is not available, American Tactical will replace it with a firearm of equal value to be determined at our discretion. The American Tactical LIMITED LIFETIME WARRANTY does not allow for monetary compensation for firearms purchased by the end user at the retail level. Any and all claims for monetary return must be addressed with the retail location from which the end user purchased the American Tactical brand domestic or imported firearm and will be subject to the terms and conditions of the retail locations returns policies.

American Tactical is not liable for any returns or claims policies of independent retailers selling American Tactical brand domestic or imported products.

All firearms registered prior to January 1, 2015 are still subject to the previous 2 Year American Tactical Warranty policy. Once expired, firearms registered prior to January 1, 2015 will be subject to the policy detailed in the section labeled SERVICES OUTSIDE OF WARRANTY on page 13.

NOTE: All American Tactical Omni and

American Tactical Omni Hybrid AR receivers have a lifetime warranty regardless of registration date.



American Tactical Product Registration Card

Contact Information

First Name: _____

Last Name: _____

Address: _____

City: _____

State: _____ Zip: _____

Phone: _____

Email: _____

Purchase Information

Date Purchased: _____

Place of Purchase: _____

Make: _____

Model: _____

Serial Number: _____

Purchase Price: _____

Color / Finish: _____

Caliber / Gauge: _____

Magazine Capacity: _____

Additional Information

Gender: Male Female

Marital Status: Single Married

Date of Birth: ____/____/____

Occupation: _____

Including yourself, what is the total number of people living in your household? _____

Your Level of Education:

- Some High School
- Completed High School (or equivalent)
- Some College
- Associate's College Degree
- Bachelor's College Degree
- Master's College Degree or Higher

Number of Firearms you Own: _____

What are your Household Shooting Interests?

- Waterfowl
- Upland Birds
- Turkey
- Big Game
- Small Game
- Trap / Skeet
- Sporting Clays
- Target
- Plinking
- Home Defense

This ATI Firearm will be used for (Fill all that Apply):

- Waterfowl
- Big Game
- Small Game
- Trap
- Skeet
- Other
- Gun Collection
- Sporting Clays
- Target
- Plinking
- Home Defense

Number of ATI Firearms you own: _____

NOTICE: All information on this form is confidential and will not be sold or given to any third parties.



Go to [Facebook.com/AmericanTactical](https://www.facebook.com/AmericanTactical) for constant updates and promotions

Additional Notes: _____



AMERICAN TACTICAL

Please Visit www.AmericanTactical.us/warranty.html to register your firearm and fill out a brief questionnaire. To register by mail, detach and mail this page. Find the address at www.AmericanTactical.us or give us a call at 800.290.0065