

SEMI - AUTOMATIC



AMERICAN TACTICAL

SAFETY RULES

Please read this before handling your firearm.

Firearms can be dangerous and potentially cause serious injury, damage to property or death, if handled improperly. The following safety rules are an important reminder that firearm safety is your responsibility.

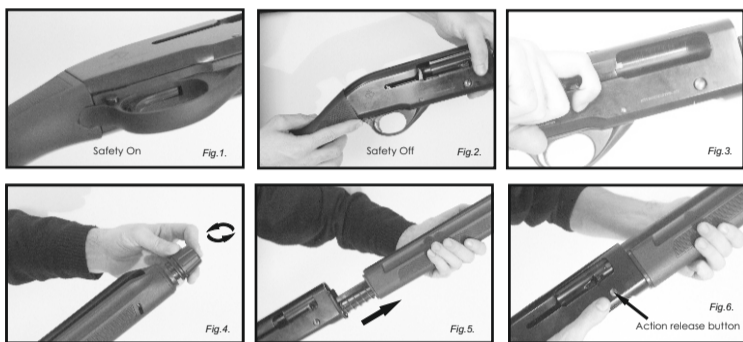
WARNING:

Firearm have the capability of taking your life or the life of someone else! Be careful with your firearm, an accident is almost always the result of not following basic safety rules. Discharging firearms in poorly ventilated areas, cleaning firearms, or handling ammunition may result in exposure to lead, a substance known to be associated with birth defects, reproductive harm, and other serious injury. Have adequate ventilation at all times. Wash hands thoroughly after exposure.

1. Never point a firearm at anyone, or in any direction other than a SAFE direction (Downrange).
2. Always treat all firearms as if they were loaded.
3. Keep your finger off the trigger until your sights are on the target.
4. Keep the manual safety applied and your finger off the trigger while loading or unloading the firearm.
5. Be sure of your target and the backstop beyond.
6. Never give a firearm to anyone, or take a firearm from anyone, unless the action is open.
7. Be sure that the ammunition you are using is factory loaded and is not damaged in any way.
8. Before firing, with the firearm unloaded, lock the bolt to the rear and check the barrel for any obstructions.
9. Before firing any firearm that is unfamiliar to you, make sure that you understand how it functions.
10. Wear hearing protection and eye protection when shooting your firearm.
11. Keep your hands and fingers away from muzzle to avoid injury or burns.
12. Firearms and ammunition should be stored separately beyond the reach of children.
13. Avoid the use of alcoholic beverages before and during any shooting.

ASSEMBLY PROCEDURE

When you remove the shotgun from its box, you will see the 2 major components, the barrel and the shotgun. Before assembly make sure that the trigger block safety button located on the trigger guard is pushed to the safety "on" position. The red ring indicating the firing position should not be visible. When the button is pushed, you will see a red circle on the safety button indicating the safety is off and ready to fire. (Fig 1-2)



Holding the shotgun as shown in Fig 3; use your fingers to pull the bolt handle fully to the rear until the bolt locks in its open position. Unscrew the magazine cap from the front of the forend in a counter clockwise direction as shown in Fig 4. Remove the forend by sliding it forward off the shotgun as shown in Fig 5. Note that the forend may be tight to the shotgun when doing this. In order to properly insert the barrel into the receiver it's necessary to release the bolt from its locked position in the receiver. In Fig 6, see the location of the action release button. While holding the bolt handle with your right hand, depress the action release button and allow the bolt to go forward with your right hand until the bolt handle reaches the end of the receiver.



Carefully align the barrel with the receiver and the end of the magazine tube as shown in fig 7 and begin to pull back on the bolt handle as you insert the barrel into the receiver. Continue pulling the bolt handle back while inserting the barrel until the bolt is in its rear locked position and the barrel is completely seated in the receiver. (Fig 8) Slide the forend over the magazine tube assembly. (Fig 9) Bringing it to the rest against the receiver. After that reattach the magazine cap to the magazine tube. The shotgun is now completely assembled. To close the bolt/action, depress the action release button and check to be sure no fingers or other objects are located near the bolt as it closes. Put the safety in the "ON" position!



AMMUNITION

USE ONLY SUITABLE AMMUNITION

This ATI semi-automatic shotguns is chambered in 12 gauge. It has been designed to fire 1,13 oz (32 gram) to 1,76 oz (50 gram) cartridges with 2,75 inch (70 mm) to 3 inch (76 mm) length.

WARNING : Never use cartridges with a case longer than the chamber, as this would have serious consequences for both the gun and the shooter. Use ONLY factory loaded ammunition. Using of re-loaded ammunition voids the warranty.

LOADING

When loading, keep the safety on and keep the muzzle pointed in a safe direction. To load the magazine tube, draw back the operation handle until it's locked in the open position, press the action release button once and turn the shotgun upside down. This will allow the cartridge lifter to move into receiver. Insert and push the cartridge into the magazine tube. As you insert each cartridge you will hear a click which informs you can now load the next shell. (Fig 10) Capacity of the gun is (5+1) To load a cartridge into the chamber, pull back on the bolt handle. As you pull the bolt handle fully backward, a cartridge will come out of the magazine tube and the cartridge carrier will raise the shell aligning it with the chamber. Release the bolt handle and the forward travel of the bolt will chamber the first round. (Fig 11) Never allow your finger or another thing to come in contact with the trigger while loading. Your shotgun is now loaded and ready to fire if the safety is moved to the OFF position.

UNLOADING

Before unloading, make sure the safety is in "ON" position. Push action release button then push carrier; after pushing the action release button, the cartridge will be ejected from magazine tube. (Fig 12) After all the shells come out; pull the bolt handle completely to the rear and this will eject any cartridge that is remaining in the chamber. Depress the bolt release button to close the action/bolt.

ATI Warranty Service Policy & Procedure ATI 2 year limited warranty on imported goods.

American Tactical Imports provides warranty services, parts and repairs for our imported products. If you believe your ATI imported products or ATI brand product needs service or replacement, please contact 1-800-290-0065 or email techservice@americantactical.us. One of our representatives will assist you and provide all instructions.

If you are contacting ATI for service of firearm please have your serial number available. All returns for service or repair require a **Return Authorization (RA)** number to be issued by an ATI representative. **No returns for service will be accepted without an ATI issued RA number written clearly on the outside of the package.** Any items received without an ATI issued RA number will be returned to sender without action.

Service time frame may vary due to service cue and availability of parts from foreign manufacturers. It is the responsibility of the consumer to ship any firearms or products to ATI for service. All firearms must be registered by mail in registration form or online registration. (www.Americantactical.us) before an ATI representative can issue a return authorization number.

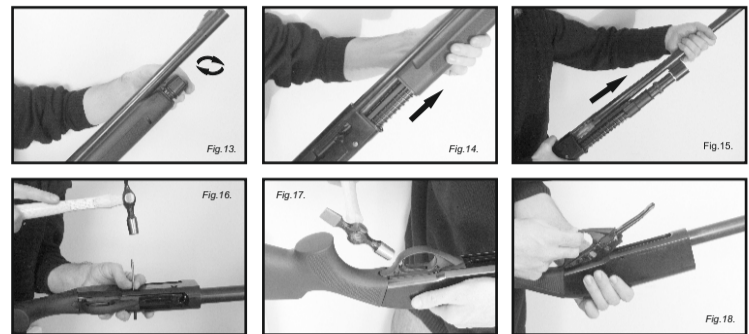
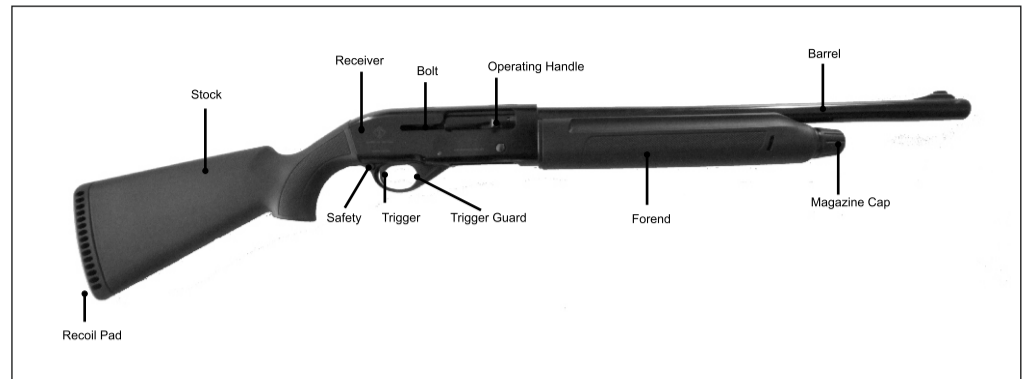
If an item received is outside of warranty coverage; an ATI representative will contact you before further action is taken.

The warranties covered by ATI are implemented and monitored by the foreign manufacturers of all ATI imported products. ATI reserves the right to deny or decline any warranty services or products that do not meet the warranties implemented by our manufacturers.

If you are returning a rifle or shotgun for service, you may ship to ATI via US Postal Service or any parcel delivery service directly to ATI.

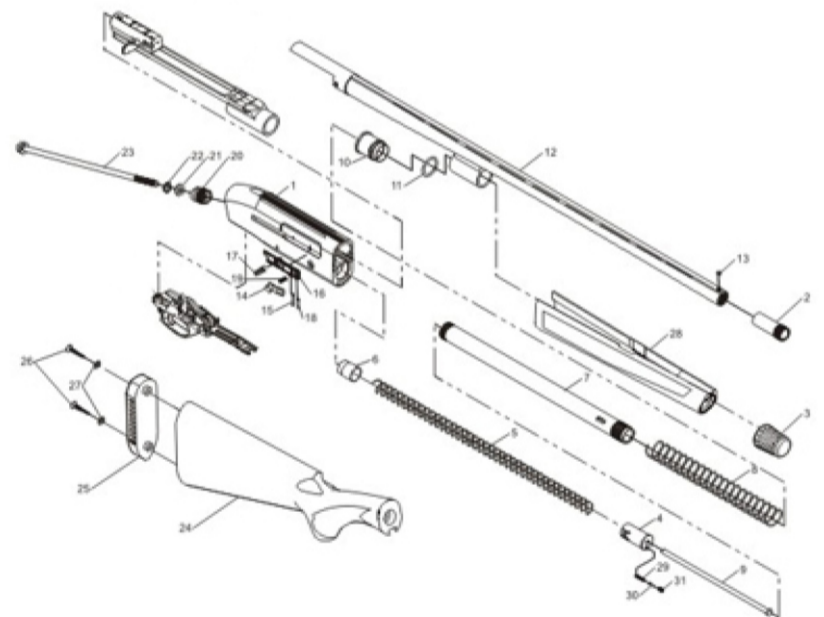
All firearms returned to ATI for service can only be shipped back to the original senders address. Change of return shipping address once received is not authorized.

If you have any questions or concerns regarding ATI's warranty policy or services please contact us at 1-800-290-0065 or email at customerservice@americantactical.us.



DISASSEMBLY

Pull the bolt handle to its full rearward position, locking the action open. Remove the magazine tube cap by unscrewing it counter clockwise. (Fig 13) Remove the forend by sliding it away from the receiver and off the end of the magazine tube (Fig 14) Remove the barrel by pulling the barrel out of the receiver assembly and out from around the magazine tube. Releasing the action may assist you in removal of the barrel (Fig 15) Using an appropriate tool push the trigger group main pin out. (Fig 16-17) Once the main pin is completely removed the trigger group can now be pulled out from the bottom of the firearm for cleaning. (Fig 18)



12 GA AUTOLOADING SHOTGUN GENERAL PART LIST

Part No	Description	Part No	Description
1	Receiver	17	Carrier Latch Spring
2	Choke Tube	18	Carrier Latch Pivot Pin
3	Magazine Cap	19	Carrier Latch Button Spring
4	Magazine Spring Cap	20	Stock Bolt
5	Magazine Spring	21	Stock Bolt Washer
6	Magazine Short Spring Cap	22	Stock Bolt Lock Washer
7	Magazine Tube	23	Stock Bolt Screw
8	Action Spring	24	Stock
9	Magazine Plug	25	Recoil Pad
10	Gas Piston	26	Recoil Pad Screws
11	O-ring	27	Recoil Pad Screw Washer
12	Barrel	28	Forearm
13	Front Sight	29	Magazine Cap Lock Spring
14	Bolt Release	30	Magazine Cap Lock Pin
15	Button Pin	31	Magazine Lock Screws
16	Carrier Latch		