



AMERICAN TACTICAL
MB3-R SHOTGUNS
12 Gauge & 20 Gauge



12GA 18 1/2" Front Sighted Gun Shown
Extra Barrels Available

INSTRUCTION MANUAL
MB3-R Pump Shotgun

ATTENTION: Before removing the firearm from its packaging, read and understand warnings, precautions, and full operating and maintenance instructions in this owner's manual



WARNING

**BEFORE USING THIS FIREARM;
COMPLETELY READ AND FOLLOW THESE INSTRUCTIONS**

WARNING

If this firearm is carelessly or improperly handled, unintentional discharge could result and could cause personal injury, death or damage to property. **FOR YOUR SAFETY AND THE SAFETY OF OTHERS**, this Operations Manual contains important instructions, warnings and safety procedures that must be understood **BEFORE** using your American Tactical firearms. It is imperative that you read the **ENTIRE MANUAL** and if you do not understand any part of it or the operation of your American Tactical firearm, you should seek professional firearms instruction. Never disassemble your firearm beyond what is shown in this manual.

Always observe the four basic safety rules of handling a firearm:

Primary Rules of Firearm Safety

RULE I: ALWAYS KEEP FIREARM POINTED IN A SAFE DIRECTION

RULE II: NEVER POINT A GUN AT ANYTHING YOU DO NOT INTEND TO SHOOT

RULE III: KEEP YOUR FINGER OFF THE TRIGGER UNTIL YOU ARE READY TO SHOOT

RULE IV: ALWAYS BE SURE OF YOUR TARGET AND BEYOND IT

NOTICE

American Tactical shall not be responsible for personal injury, death or damage to property resulting from either intentional or accidental discharge of this firearm, or from its function when used for purposes or subjected to treatment for which it was not designed.

American Tactical will not honor claims involving this firearm which result from careless or improper handling, unauthorized adjustment or parts replacement, corrosion, neglect, or the use of wrong caliber ammunition, other than original high quality commercially manufactured ammunition in good condition, or any combination thereof. American Tactical will not honor claims involving this firearm for any reason or cause when the second or subsequent owner makes such claims. Before the firearm left the factory, it was tested, carefully inspected and packaged. American Tactical cannot control product handling after it leaves the factory; therefore please examine this firearm carefully at the time of purchase to ensure that it is unloaded and undamaged.

GENERAL HANDLING CAUTIONS

1. Do NOT alter or modify your firearm, have it serviced regularly!
2. Always handle your firearm as if it is loaded.
3. Never point your firearm at anything you don't intend to shoot.
4. Always make sure your firearm is not loaded and the slide is latched open and to the rear before laying it down or handing it to someone.
5. Never leave a loaded firearm unattended.
6. Always be sure bore, muzzle, chamber and action are clear of obstruction or water.
7. Always check that ammunition is clean and undamaged.
8. Never drink alcoholic beverages or take drugs before or during shooting.
9. Always wear eye and ear protection when shooting.
10. Always keep safety on "SAFE" when the firearm is loaded and a round is chambered until ready to shoot.
11. Never indulge in "horseplay" when holding your firearm.

GENERAL DISASSEMBLY INFORMATION

1. The following instructions should be observed during disassembly and assembly.
2. Always visually and physically check firearm to make sure it is unloaded and is in "safe" condition.
3. Never keep live ammunition in the same room as firearm when handling or working on it.
4. The firearm should be disassembled on a table or bench.
5. The parts should be laid out in order of disassembly.
6. Force should not be used to remove or disassemble parts, as it may result in damage to the parts.
7. Only parts and accessories in good condition and designed for this model firearm should be used.
8. Only use proper tools designed for firearms when cleaning. Always use screw drivers that are designed for firearms and fit screw slots properly to avoid damaging screw heads and slots.

LOADING

WARNING: Before loading, be sure that the gun is pointed in a safe direction; the safety is on safe (push safety to the right of the firearm); the chamber is empty; and the breech bolt is closed.

1. Load up to four 3 or 2 3/4 inch shells, by pushing them (crimped end towards the muzzle) into the magazine loading port. Be sure each shell passes beyond the shell stop.
2. Press the action bar lock and pump the action all the way back then all the way forward.

WARNING: Your shotgun is now loaded with the hammer cocked and is ready to fire as soon as the safety is pushed to the FIRE position indicated by the red ring around the safety.



How to Unload

Warning: Before unloading, be sure the safety is on SAFE (push safety to the right of the firearm) and your gun is pointed in a safe direction.

1. Press the action bar lock and open the action slowly until the front of the shell is visible in the ejection port. Lift the front of the shell outward and remove the shell from the ejection port.
2. Continue to pull the forearm back until the next shell is released from the magazine.
3. Tip the gun sideways so that the shell drops from the ejection port.
4. Press the action bar lock and work the action in this manner until all shells have been removed.
5. Check action and magazine to make sure no shell remains.

CLEANING, PROPER CARE AND MAINTENANCE

Step 1 Cleaning

1. With a quality bore cleaner designed for firearms and using manufacturers' direction, clean barrel from the chamber end removing brush or cleaning jag and patch before pulling back through the barrel. Any attempt to clean from the muzzle end or pulling cleaning brushes and jags back through the barrel may damage it.
2. Wipe down additional parts with bore cleaner or CLP until loose carbon and dirt is removed. A nylon brush may be used to assist in removing stubborn fouling.
3. Wipe parts clean with soft dry cloth and apply lubrication.

Step 2 Lubrication

4. Using a quality gun oil or lubricant, lubricate top of chamber, bolt, slide block assembly, and action bar assembly.
5. Lubricate slide rails and disconnecter rail with gun oil.
6. Firearm should be lubricated before shooting and periodically during long shooting sessions.



AMERICAN TACTICAL
PROUDLY USES
**LUCAS OIL OUTDOOR
PRODUCTS**

FOR ALL OF OUR FIREARM
MAINTENANCE NEEDS

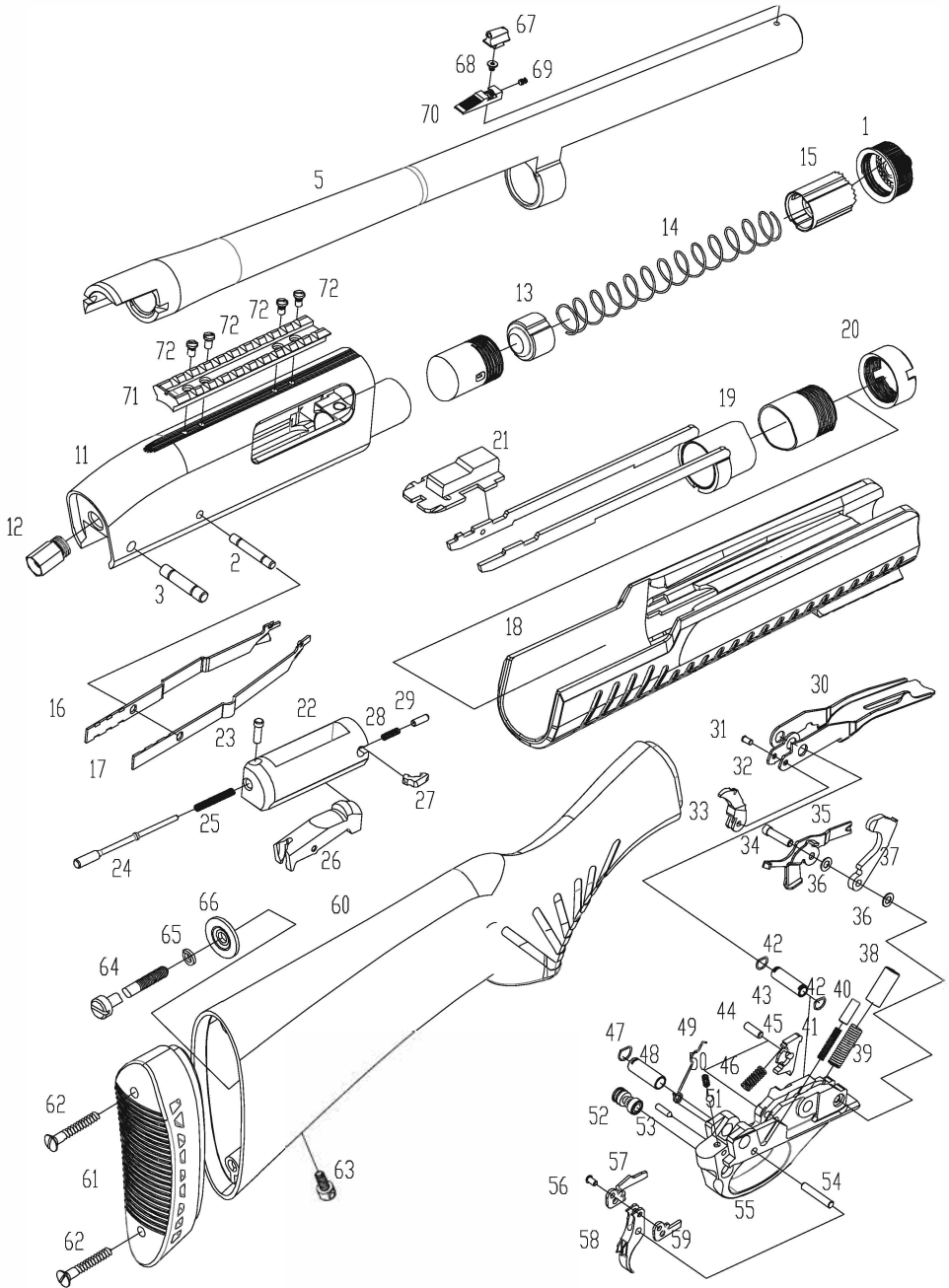


A Lucas Oil Lubrication sample is included with all firearm purchases!

MB3-R Parts Identification

1 Magazine cap Assembly	34	Hammer Pin
2 Front Pin	35	Action Bar Lock
3 Rear Pin	36	Action Bar Lock Washer
5 Barrel Assembly	37	Hammer
11 Receiver Assembly	38	Hammer Plunger
12 Receiver Stud	39	Hammer Spring
13 Magazine Follower	40	Carrier Dog Follower
14 Magazine Spring	41	Carrier Dog Spring
15 Magazine Spring Retainer	42	Front Pin detent
16 Left Latch	43	Front Pin Bushing
17 Right Latch	44	Sear Pin
18 Forearm	45	Sear
19 Action Bar Assembly	46	Sear Spring
20 Forearm Tube Nut	47	Rear Pin detent Spring
21 Slide Block Assembly	48	Rear Pin Bushing
22 Breech Bolt	49	Action Bar Lock Spring
23 Firing Pin Retaining Pin	50	Safety Retaining Spring
24 Firing Pin	51	Safety Detent Ball
25 Firing Pin Spring	52	Safety Button
26 Locking Block Assembly	53	Safety Spring Retaining Pin
27 Extractor	54	Trigger Pin
28 Extractor Spring	55	Trigger Plate
29 Extractor Plunger	56	Connector Pin
30 Carrier	57	Left Connector
31 Carrier Dog Pin	58	Trigger
32 Carrier Dog Washer	59	Right Connector
33 Carrier Dog	60	Buttstock
67 Front Sight	61	Butt Plate
68 Blade Fix Screw	62	Butt Plate Screw
69 Front Sight Fix Screw	63	Rear Sling Swivel Stud
70 Blade	64	Stock Bolt
71 Rail	65	Stock Bolt Spring Washer
72 Rail Fix Screw	66	Stock Bolt Washer

MB3-R Exploded View



NOTES:



AMERICAN TACTICAL

Registration and Warranty Information

Thank you for choosing an American Tactical firearm.

To learn more about our warranty please visit www.AmericanTactical.us/warranty

Please Register Online!

Please Visit www.AmericanTactical.us/warranty

to register your firearm and fill out a brief questionnaire.

If you do not have online access, use the back of this card.

Registration will be used for product registry in the event your firearm needs service or repair.

American Tactical Lifetime Limited Warranty

American Tactical's LIMITED LIFETIME WARRANTY is in effect for any firearms registered for warranty beginning January 1, 2015. This warranty extends to any and all parts of the firearm as originally sold by American Tactical, but does not extend to firearms altered after their original purchase, firearms damaged through abuse, misuse or lack of proper care and maintenance or firearms used other than for their legal intended purposes. If a firearm cannot be repaired, American Tactical will replace it with a brand new identical firearm. If a replacement firearm identical to the returned firearm is not available, American Tactical will replace it with a firearm of equal value to be determined at our discretion. The American Tactical LIMITED LIFETIME WARRANTY does not allow for monetary compensation for firearms purchased by the end user at the retail level. Any and all claims for monetary return must be addressed with the retail location from which the end user purchased the American Tactical

brand domestic or imported firearm and will be subject to the terms and conditions of the retail locations returns policies. American Tactical is not liable for any returns or claims policies of independent retailers selling American Tactical brand domestic or imported products. All firearms registered prior to January 1, 2015 are still subject to the previous 2 year American Tactical Warranty policy. Once expired, firearms registered prior to January 1, 2015 will be subject to the policy detailed below in the section labeled "Services Outside of Warranty."



American Tactical Product Registration Card

Contact Information

First Name: _____

Last Name: _____

Address: _____

City: _____

State: _____ Zip: _____

Phone: _____

Email: _____

Purchase Information

Date Purchased: _____

Place of Purchase: _____

Make: _____

Model: _____

Serial Number: _____

Purchase Price: _____

Color / Finish: _____

Caliber / Gauge: _____

Magazine Capacity: _____

Additional Information (Optional)

Gender: Male Female Prefer Not to Answer

Marital Status: Single Married

Date of Birth: ____ / ____ / _____

Occupation: _____

Including yourself, what is the total number of people living in your household? _____

Your Level of Education:

- Some High School
- Completed High School (or equivalent)
- Some College
- Associates College Degree
- Bachelor's College Degree
- Master's College Degree or Higher

Number of Firearms you Own: _____

What are your Household Shooting Interests?

- Waterfowl
- Upland Birds
- Turkey
- Big Game
- Small Game
- Trap / Skeet
- Sporting Clays
- Target
- Plinking
- Home Defense

This American Tactical Inc Firearm will be used for (Fill all that Apply):

- Home Defense
- Conceal Carry
- Target / Plinking
- Gun Collection
- Hunting
- Other

Number of ATI Firearms you own: _____

Additional Notes or suggestions:



Go to [Facebook.com/AmericanTacticalsc](https://www.facebook.com/AmericanTacticalsc) for constant updates and promotions



Go to [Instagram.com/AmericanTactical.us/](https://www.instagram.com/AmericanTactical.us/) for constant updates and promotions

Receive a free hat when you fill out the optional information.



NOTICE: All information on this form is confidential and will not be sold or given to any third parties.

AMERICAN TACTICAL

Please Visit www.AmericanTactical.us/warranty to register your firearm and fill out a brief questionnaire. To register by mail, detach and mail this page.